








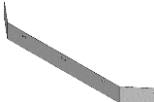





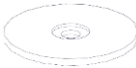



Installation manual

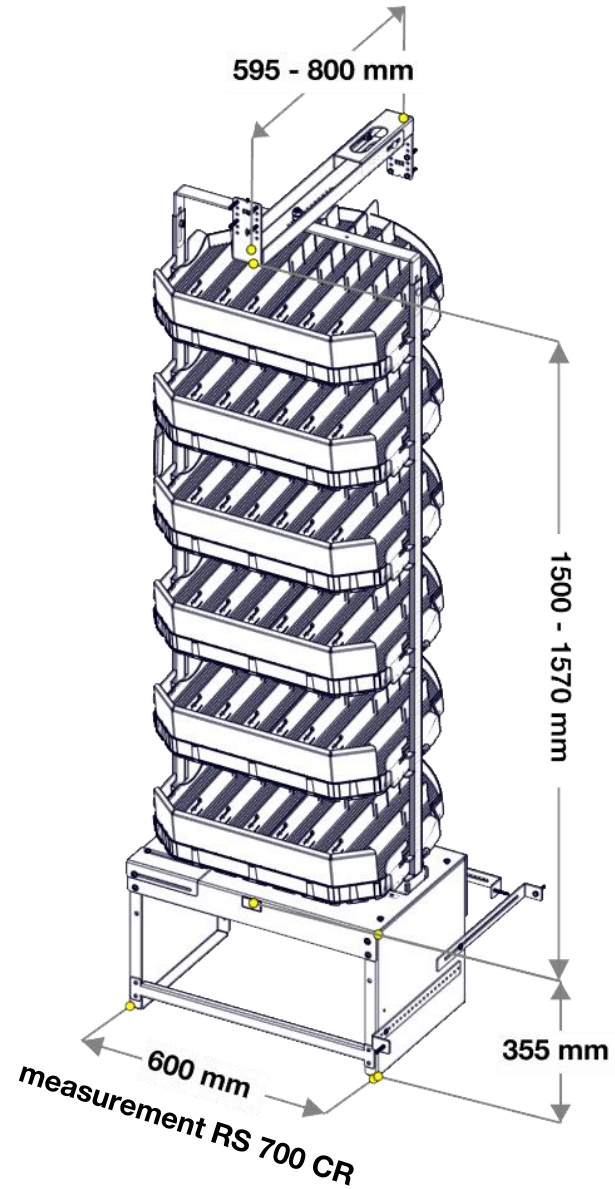
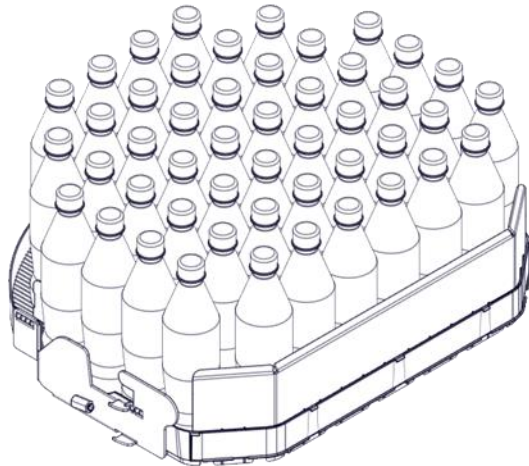
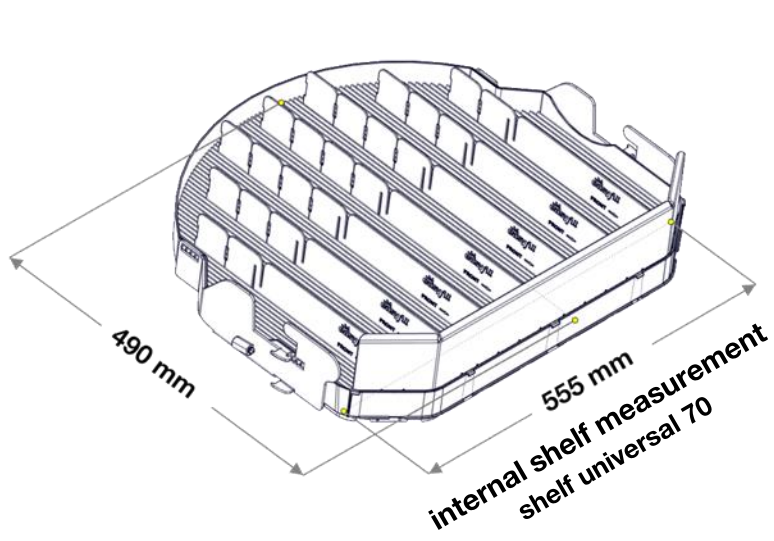
RotoShelf® 700 ColdFront



ACCESSORIES - RotoShelf 700 ColdFront

| RotoShelf 700 CR packing details | | ACCESSORIES | | | RotoShelf 700 CR packing details | | ACCESSORIES | | |
|---|-------------------------------|--------------|--------------|-------|---|---------------------------|--------------|--------------|-------|
| Picture | Product name | Art. No | Weight /item | Qty . | Picture | Product name | Art. No | Weight /item | Qty . |
|  | Shelf 70 Housing | 0193-41000-0 | 1,811 kg | 1 |  | Price List | | 0,050 kg | 1 |
|  | Shelf UNI 70 white | 400418 | 1,195 kg | 1 |  | Divider extender L=483 mm | 889090 | 0,030 kg | 1 |
|  | Frontstopper UNI 70 H 113 mm | 0070-00113 | 0,235 kg | 1 |  | Pusher | 0118-00000-0 | 0,050 kg | 1 |
|  | Divider UNI 70-90 | 400393 | 0,044 kg | 1 |  | Rollertrack | 400392 | 0,150 kg | 1 |
|  | Plastlabel RS90F11 585*37*0,8 | 400450 | 0,020 kg | 1 |  | PETG-Shelftalker 50 mm | 0201-00010-0 | 0,030 kg | 1 |
|  | Frontstopper UNI 70 H 100 mm | 0070-00100 | 0,210 kg | 1 |  | Divider extender L=300 mm | 889091 | 0,020 kg | 1 |
|  | Frontstopper UNI 70 H 54 mm | 0070-00054 | 0,112 kg | 1 |  | 0000-0006 | 0000-0006 | kg | 1 |
|  | Frontstopper UNI 70 H 163 mm | 0070-00163 | 0,345 kg | 1 |  | Plastic bearing | 0000-0027 | kg | 1 |
| | | | | |  | Plastic bearing | 0000-0028 | kg | 1 |

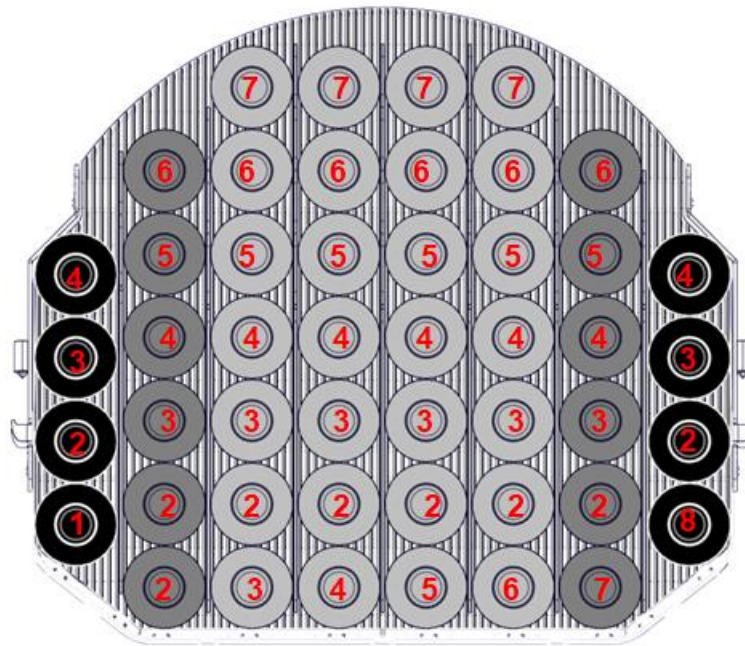
0223 – Rotoshelf 700 ColdFront



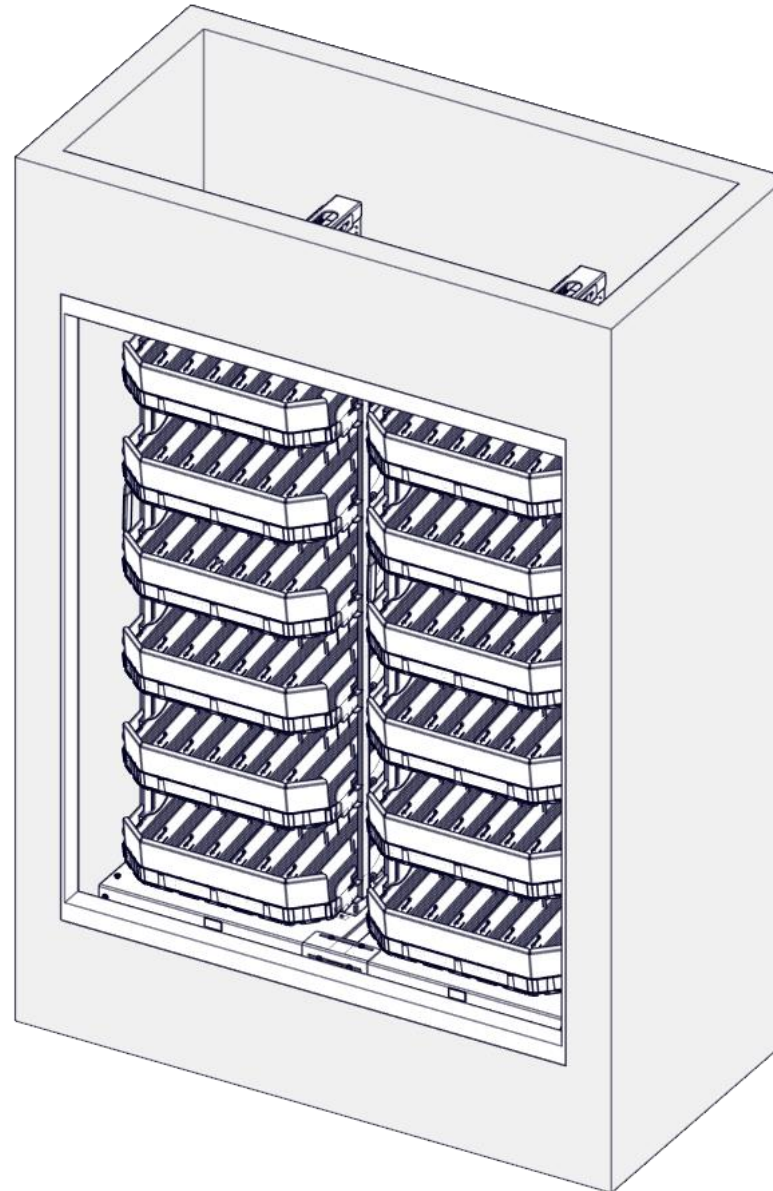


- 500 ml PET
- Ø 65 mm
- 0,48 m2

$$\begin{array}{r} 4 \times 2 = 8 \\ 6 \times 2 = 12 \\ 7 \times 4 = 28 \end{array} = 48$$

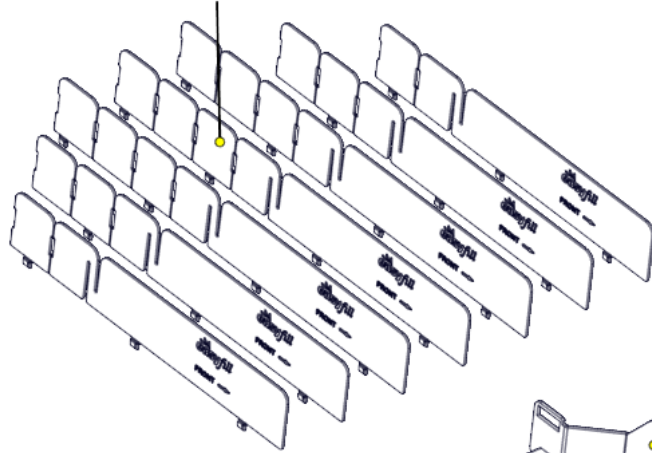


0223 – Rotoshelf 700 ColdFront MULTIPLE

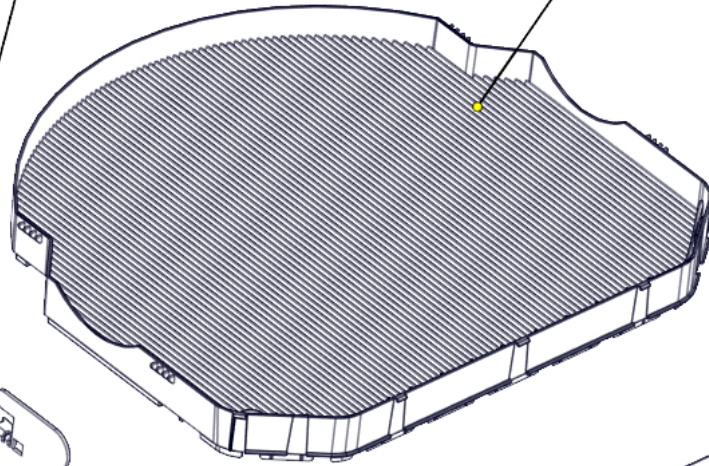


Art. No. 0193-40000-0

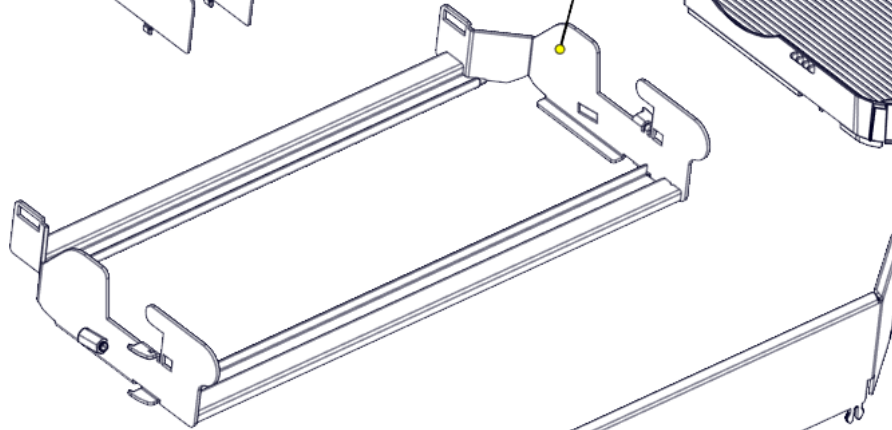
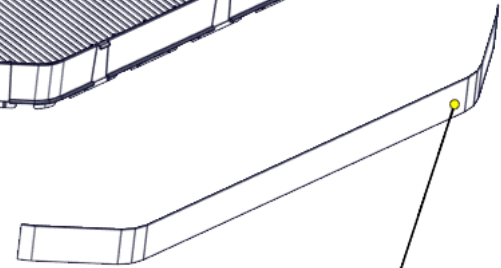
Divider Uni 70-90 white
Art. NO 400393



Shelf 70 Housing
Art. No 0193-41000-0

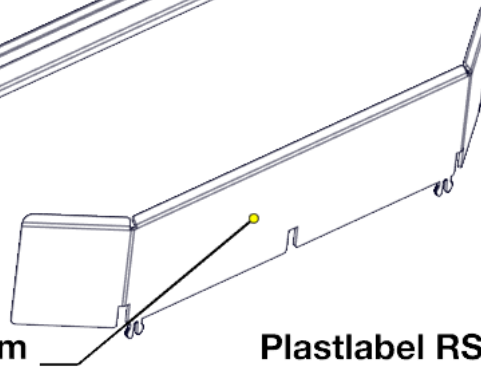


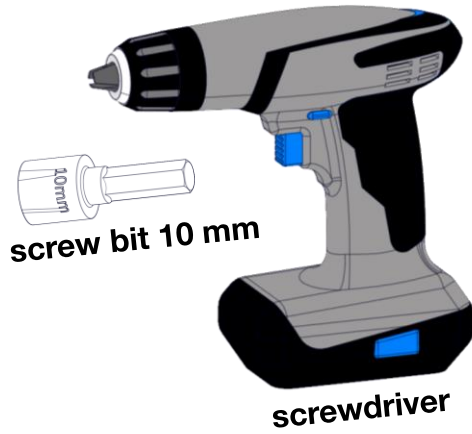
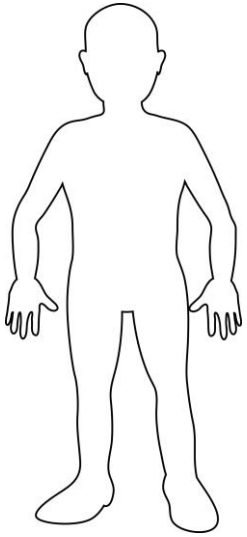
Shelf 70 Universal white
Art. No 400418



Frontstopper UNI 70 - H 113 mm
Art. No 0070-00113

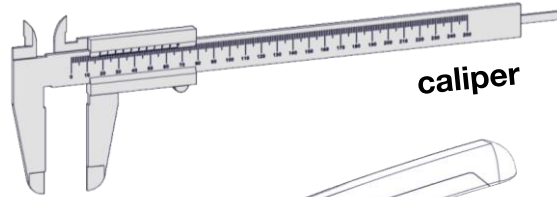
Plastlabel RS90F11 585*37*0,8
Art. No 400450



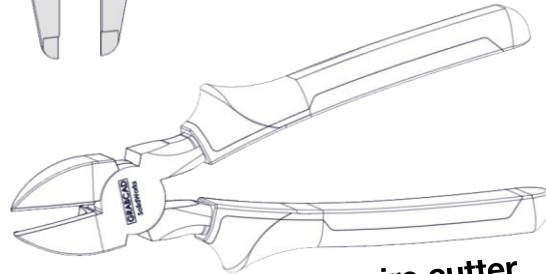


screw bit 10 mm

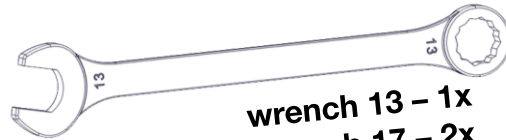
screwdriver



caliper



wire cutter



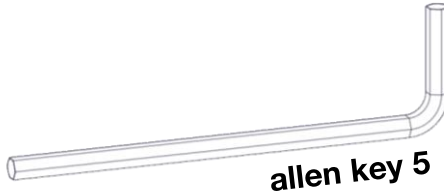
wrench 13 - 1x
wrench 17 - 2x



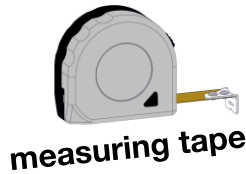
pencil



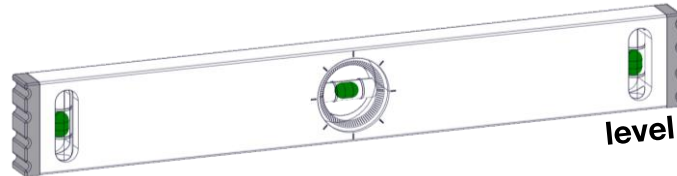
ladder



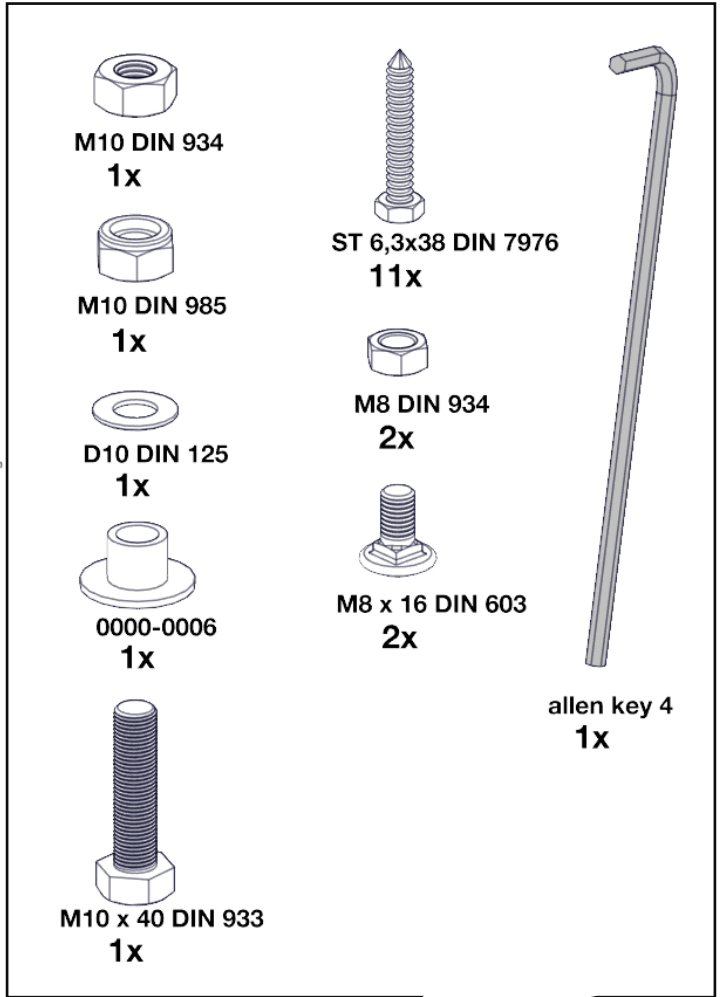
allen key 5



measuring tape



level



M10 DIN 934
1x

M10 DIN 985
1x

D10 DIN 125
1x

0000-0006
1x

M10 x 40 DIN 933
1x

ST 6,3x38 DIN 7976
11x

M8 DIN 934
2x

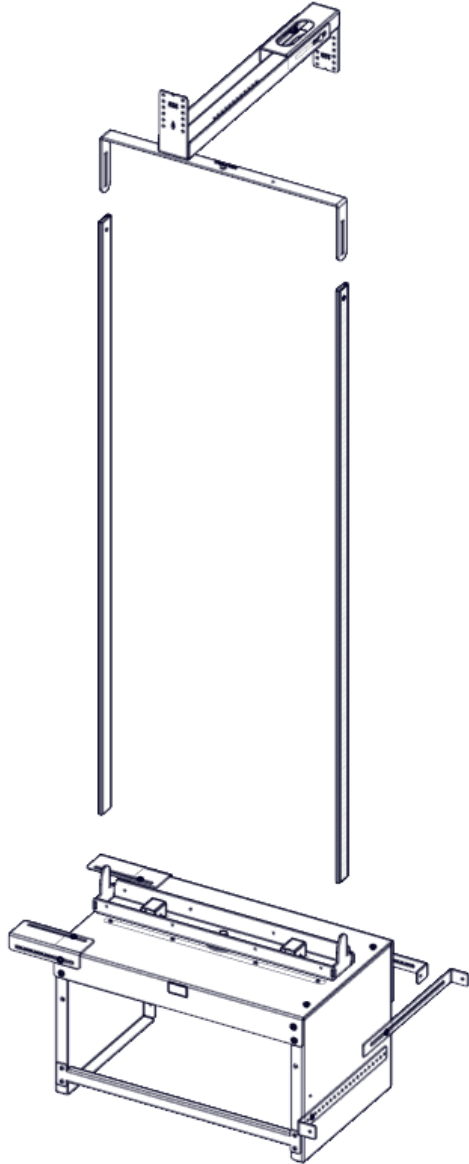
M8 x 16 DIN 603
2x

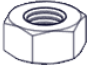
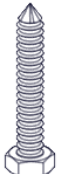
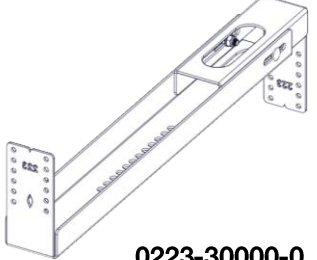


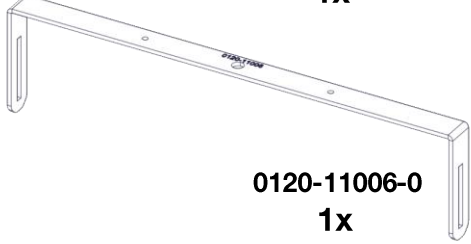


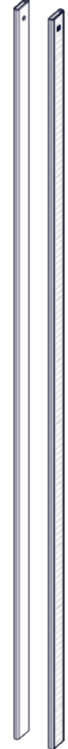

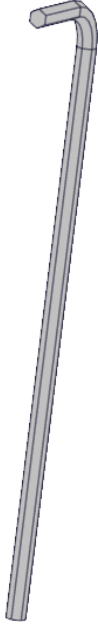



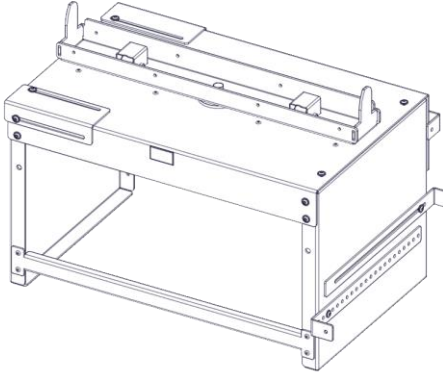
allen key 4
1x



0223-40000-0 (2x)

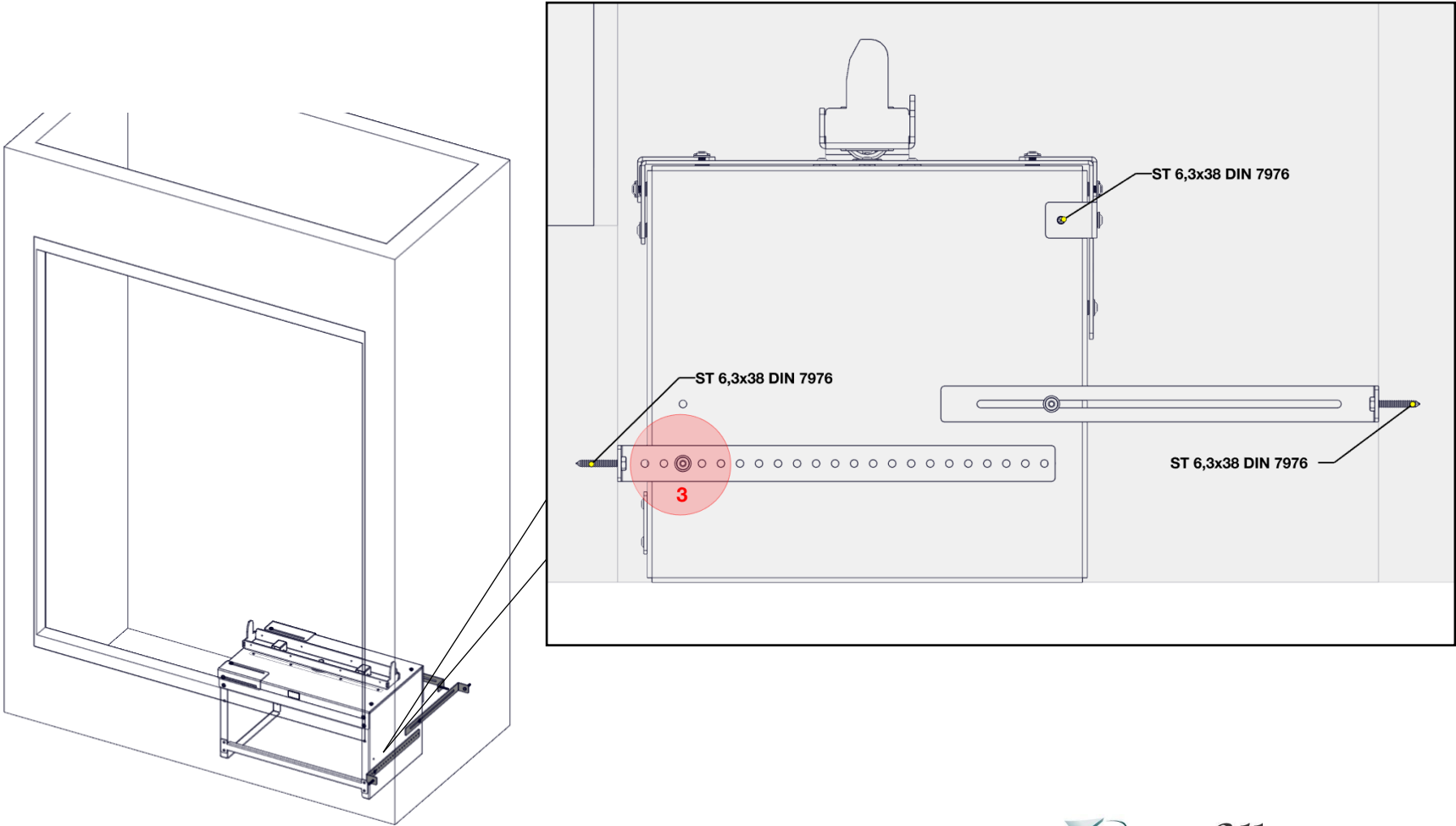
Installation of frame



| | | |
|--|---|---|
|  |  |  |
| M10 DIN 934 1x | ST 6,3x38 DIN 7976 11x | 0223-30000-0 1x |
|  |  |  |
| M10 DIN 985 1x | M8 DIN 934 2x | 0120-11006-0 1x |
|  |  |  |
| D10 DIN 125 1x | M8 x 16 DIN 603 2x | 0223-11000-0 1x |
|  |  |  |
| 0000-0006 1x | allen key 4 1x | 0193-30000-0 1x |
|  |  |  |
| M10 x 40 DIN 933 1x | 0223-40000-0 1x | 0120-39000-0 + 0223-20000-0 1x |

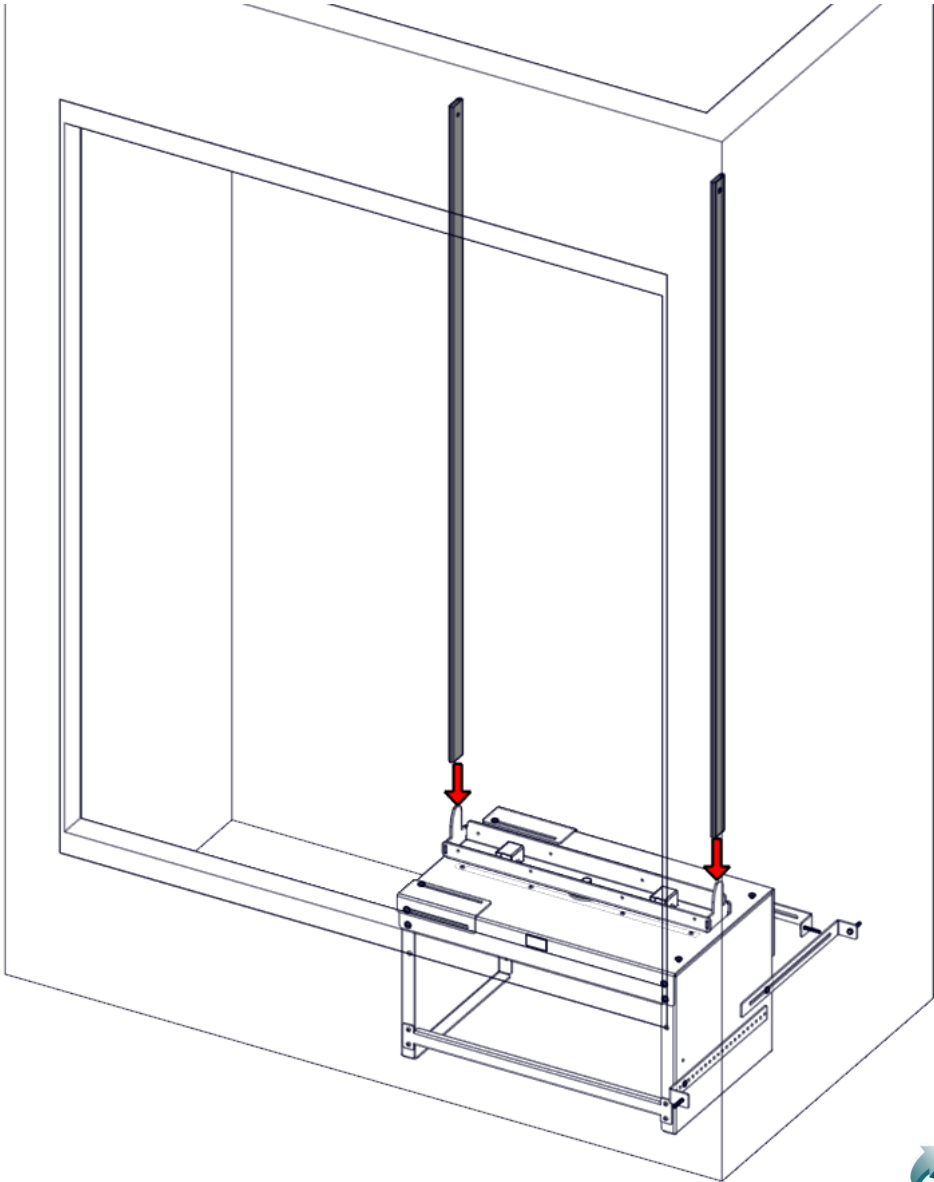
Installation of bottom part 0223-20000-0 + 0120-39000-0

1



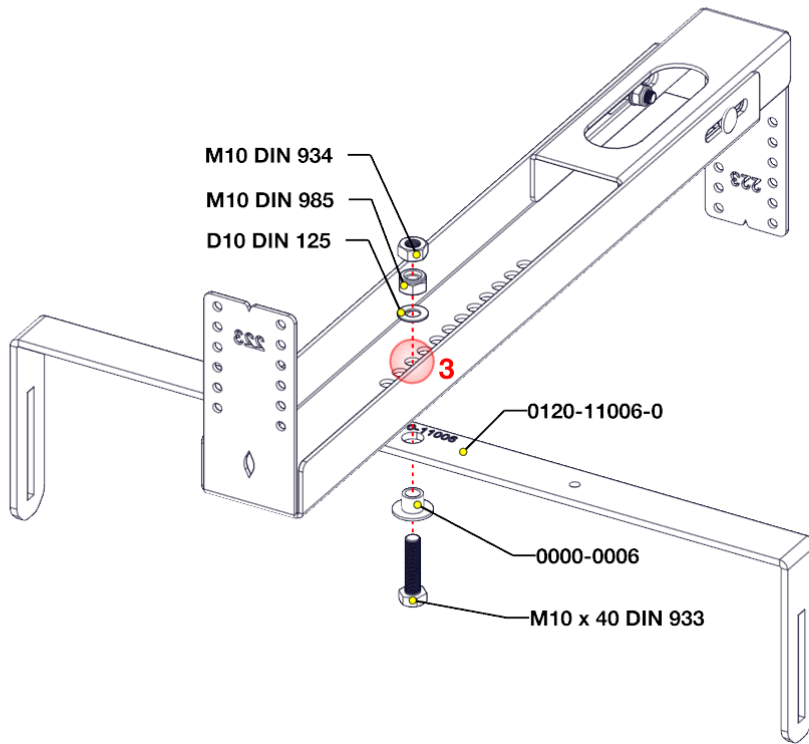
Installation of adjustable frame

2

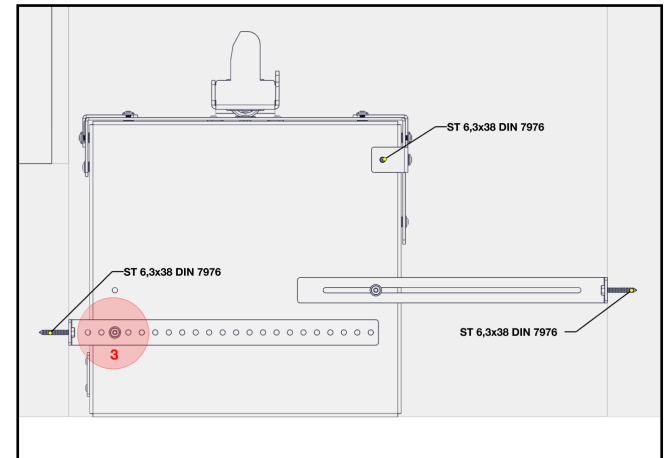
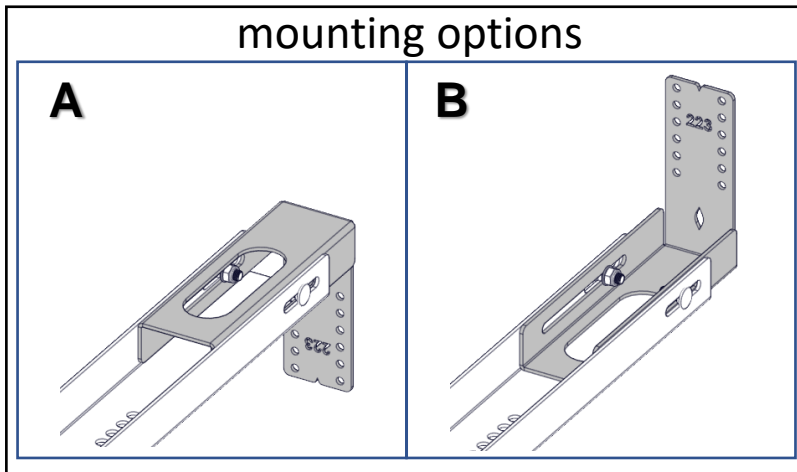
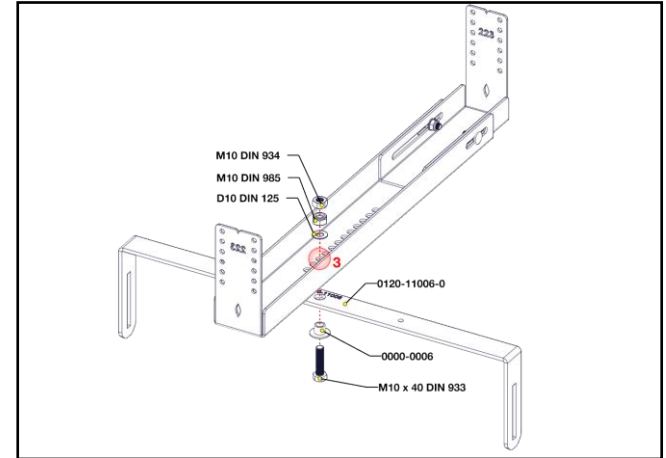


3

Installation of top part

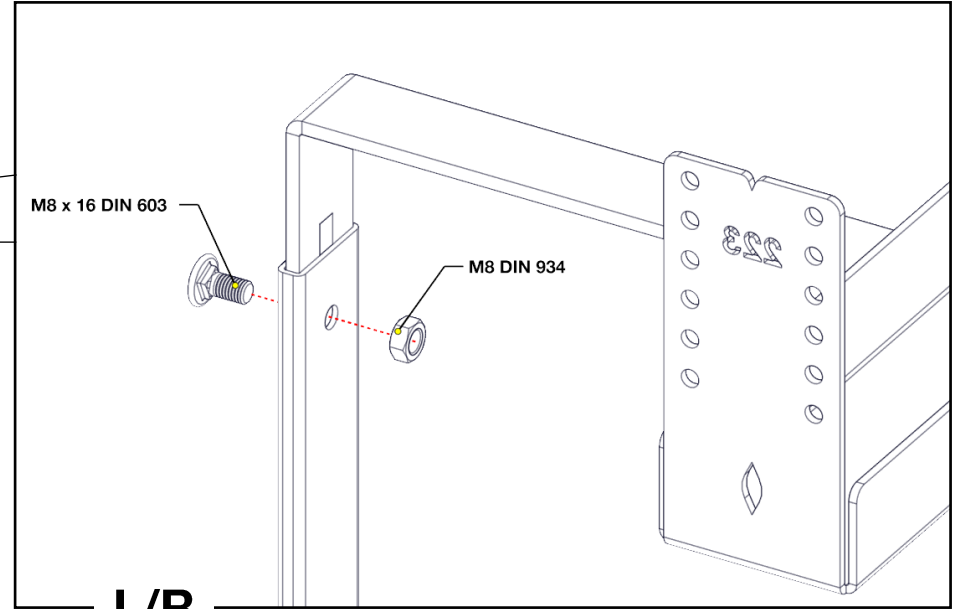
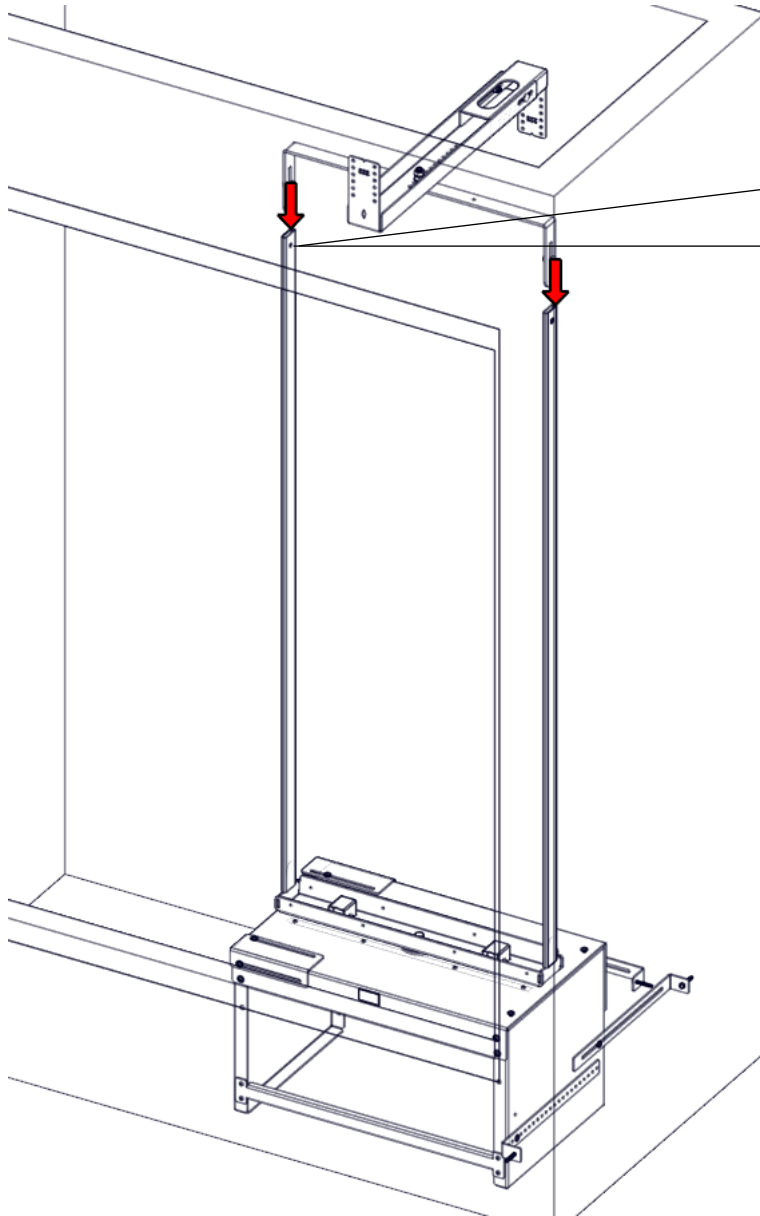


! Bottom and top –
always the same hole **!**

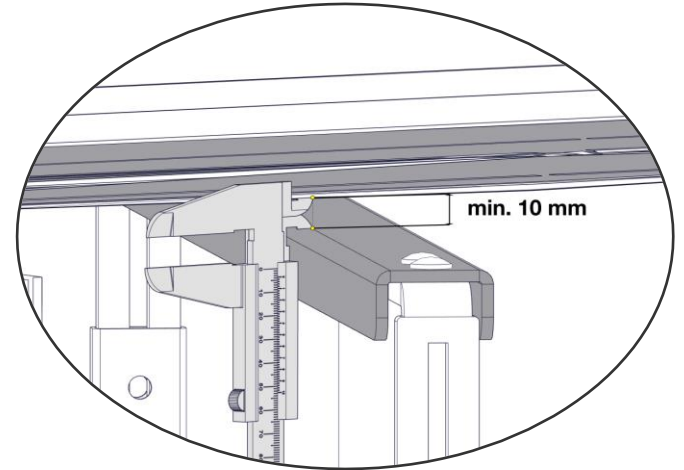


Installation of top part

4



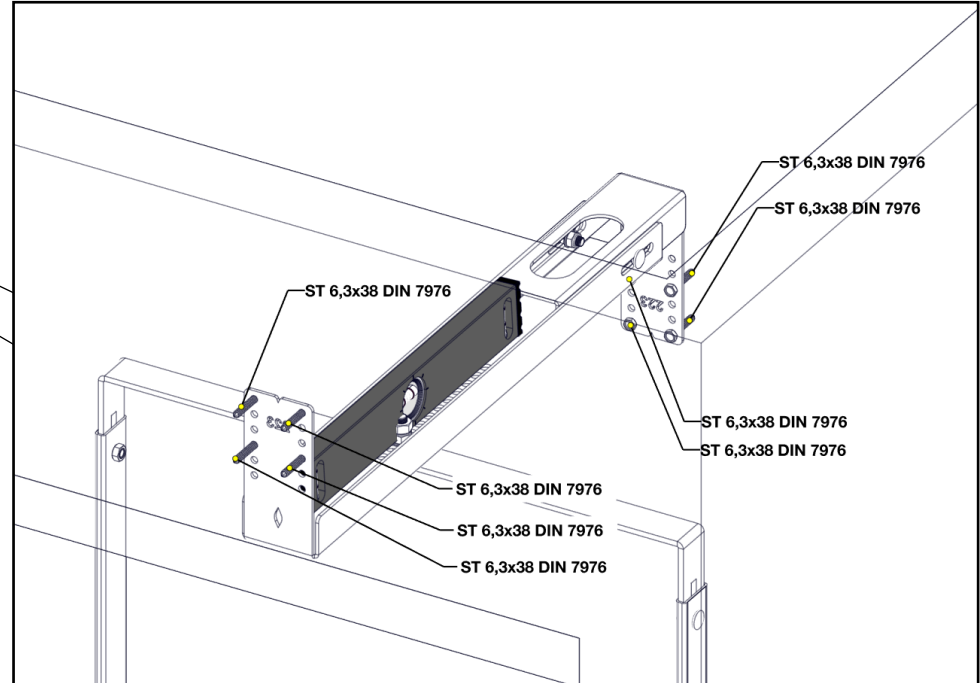
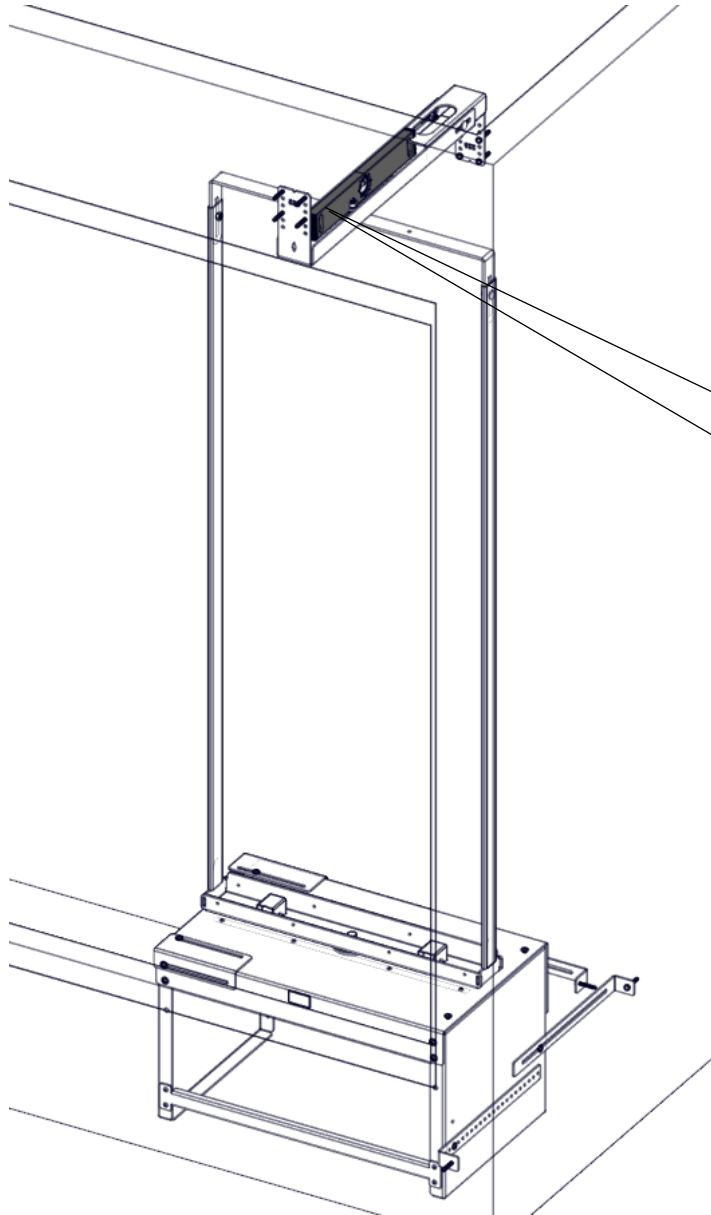
L/R



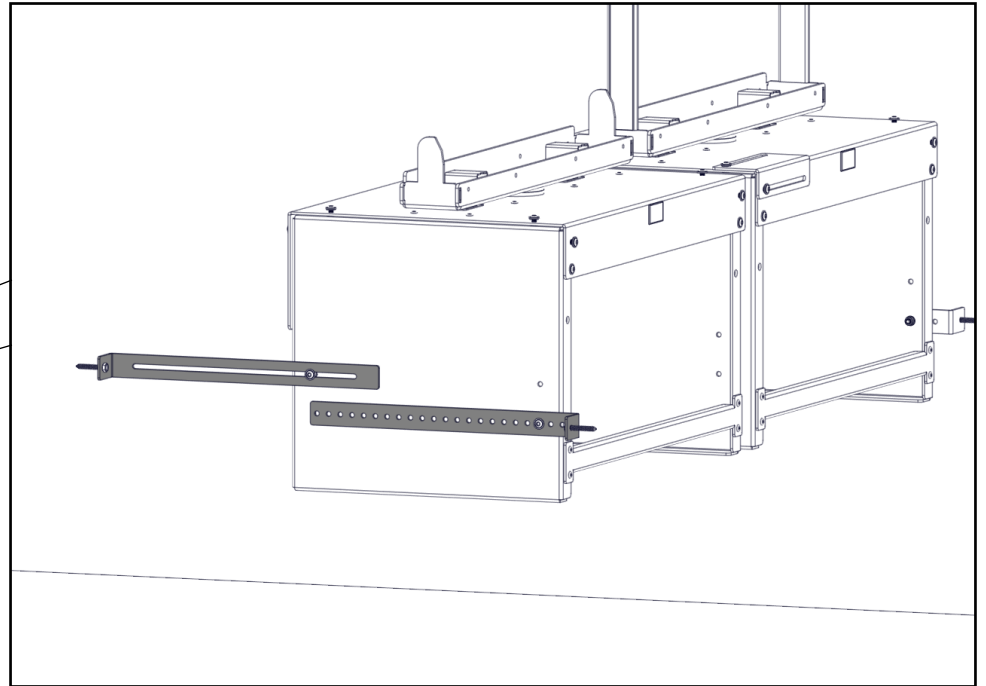
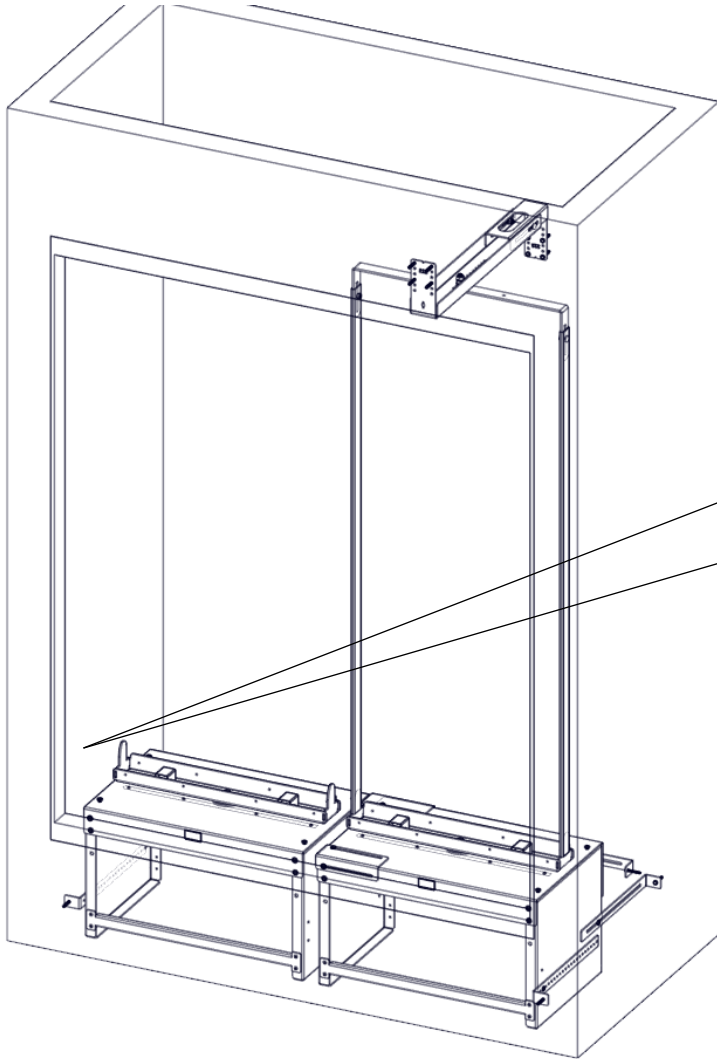
min. 10 mm

Installation of top part

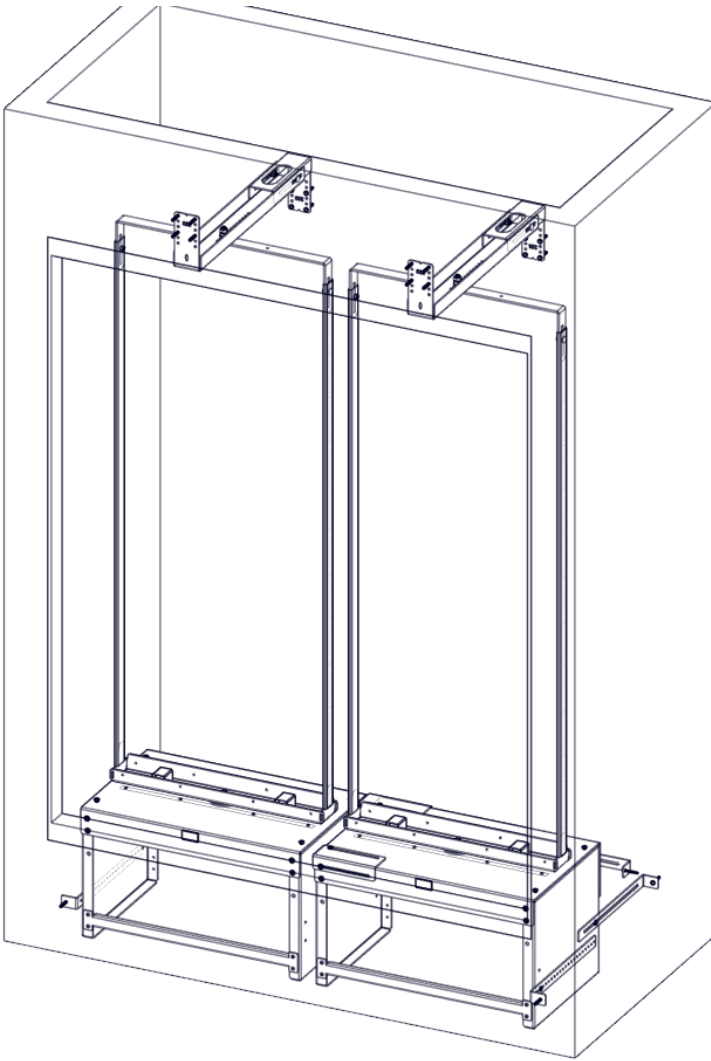
5



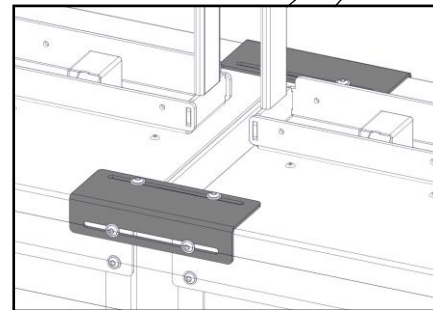
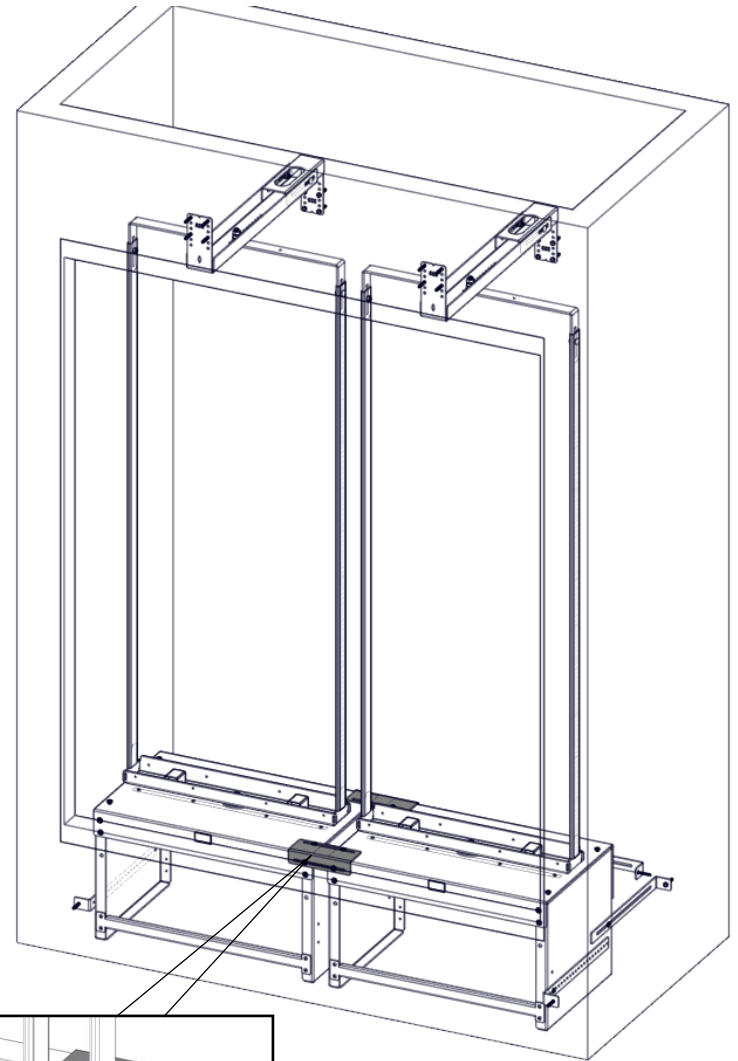
6



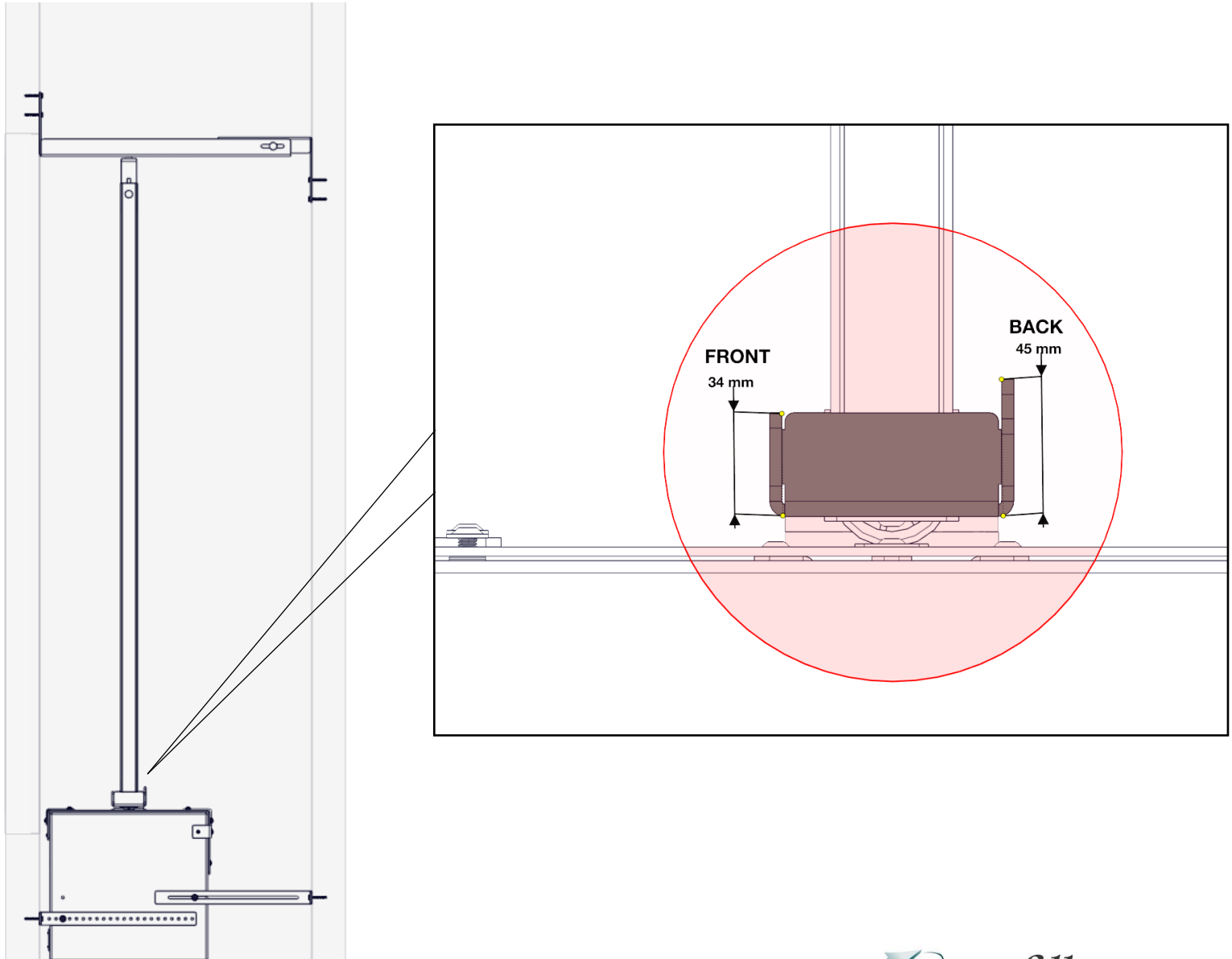
7



8

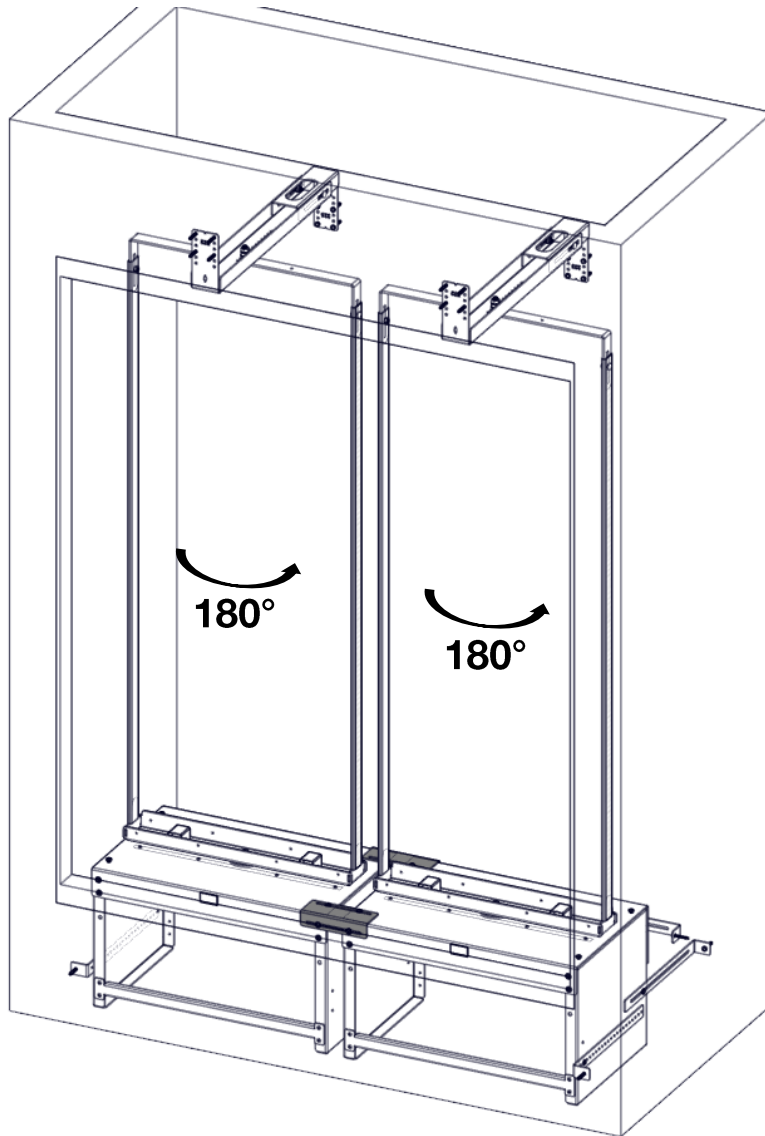


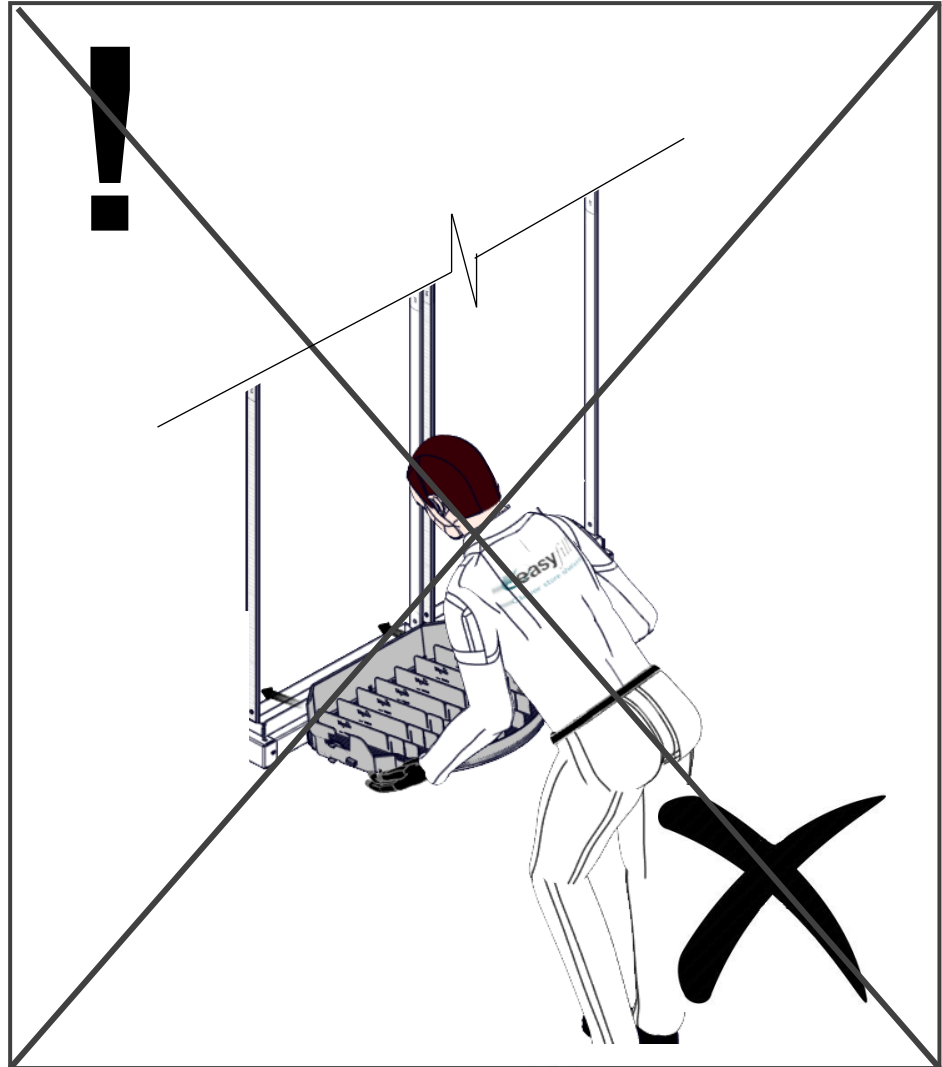
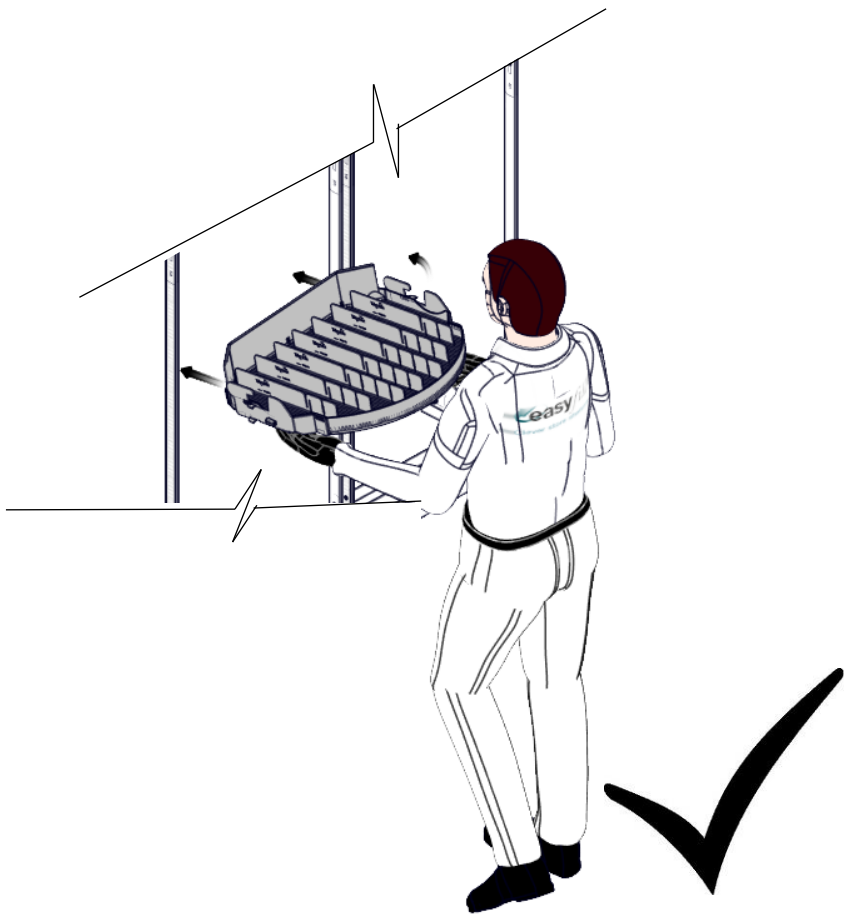
BASE POSITION

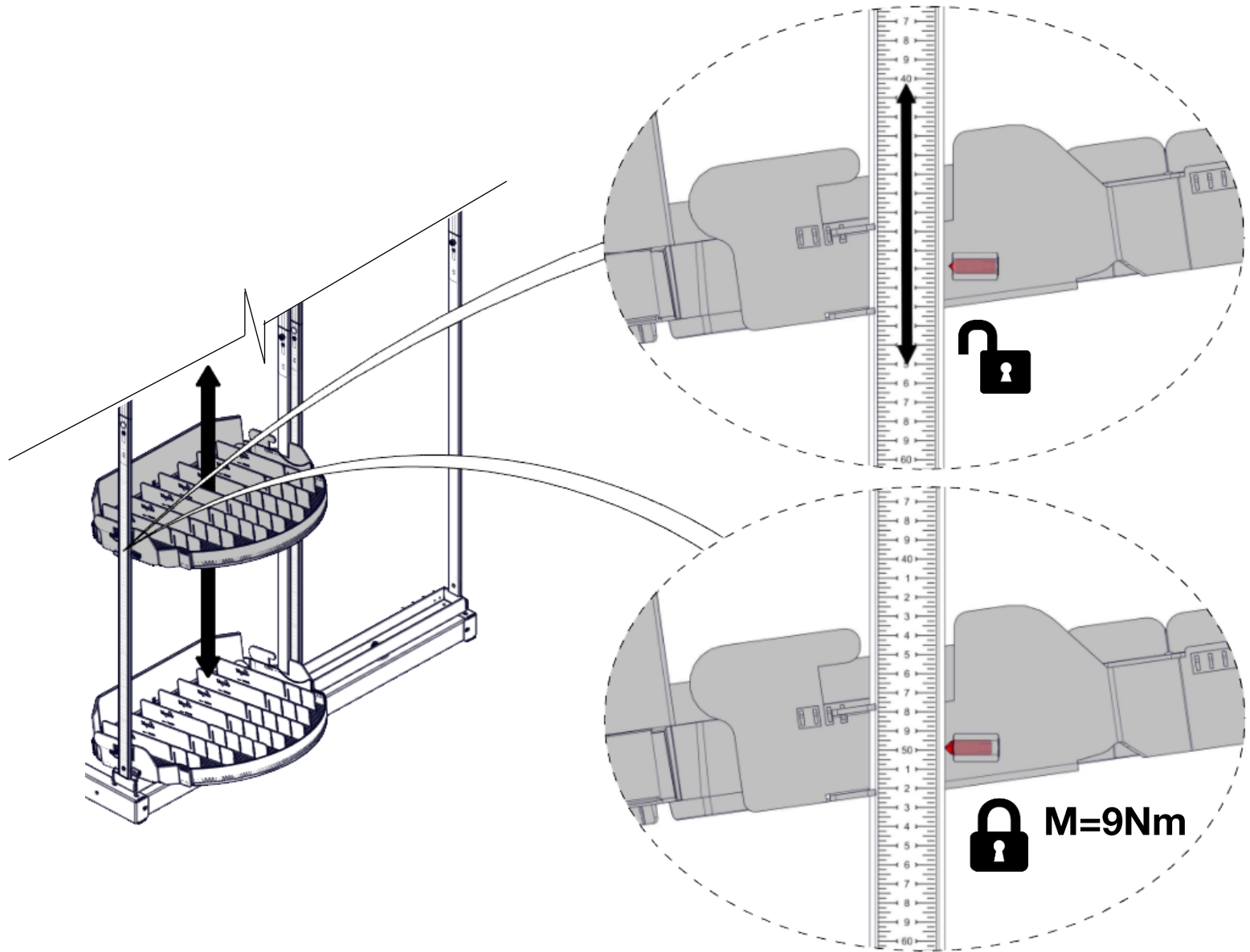


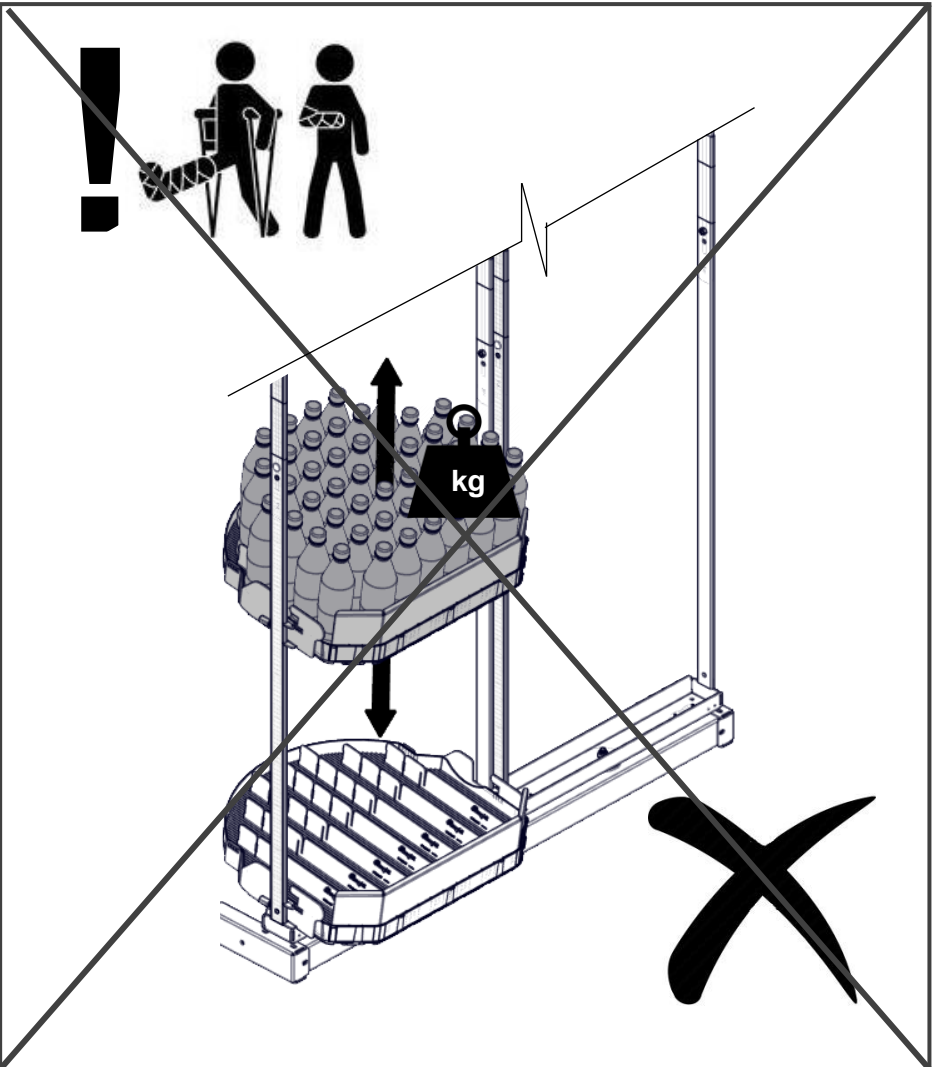
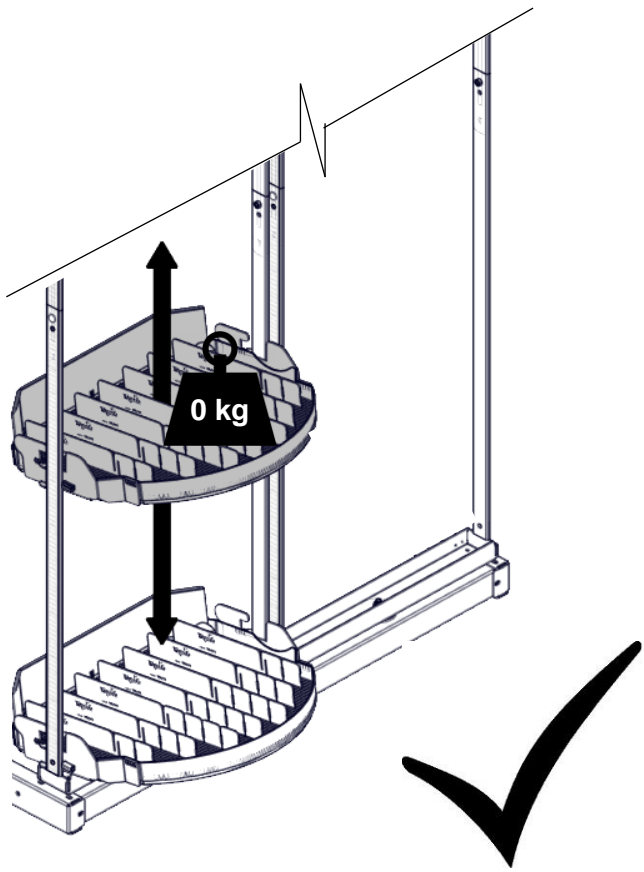
Installation shelves 0193-40000-0

9

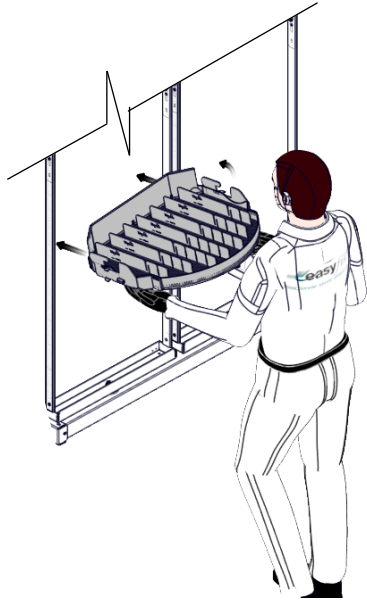




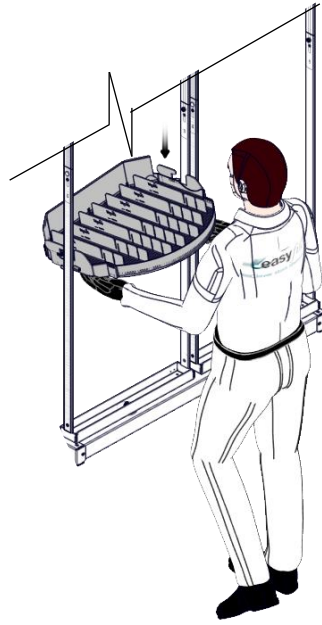




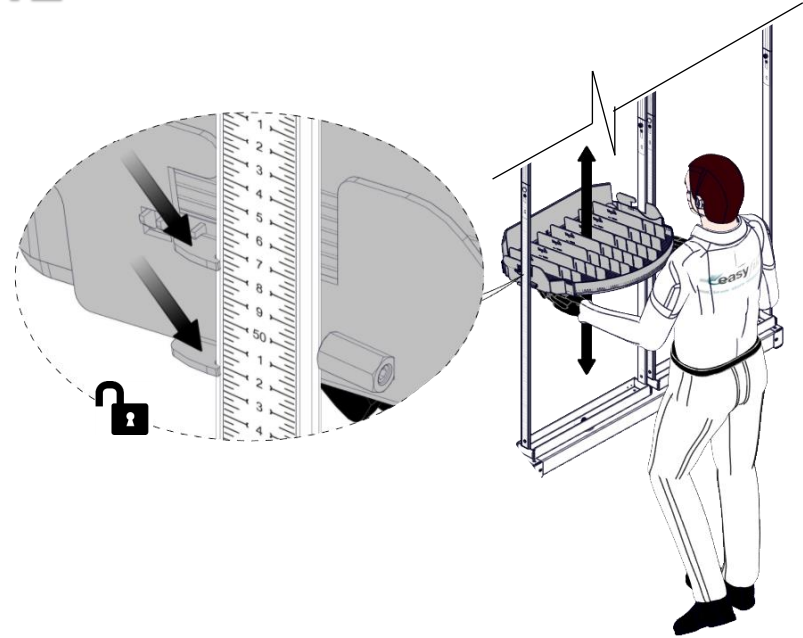
10



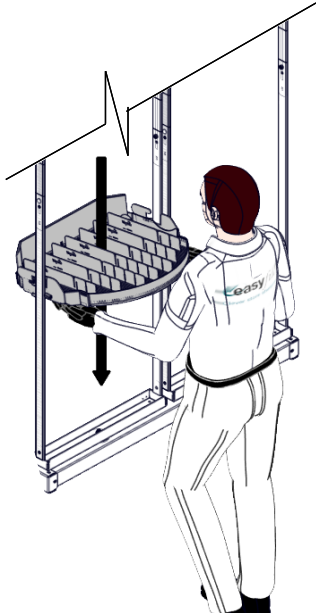
11



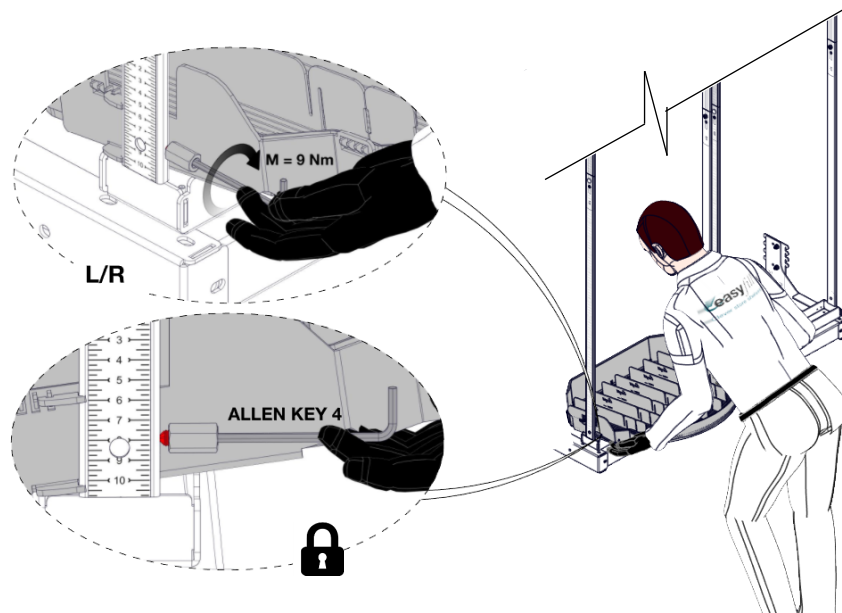
12



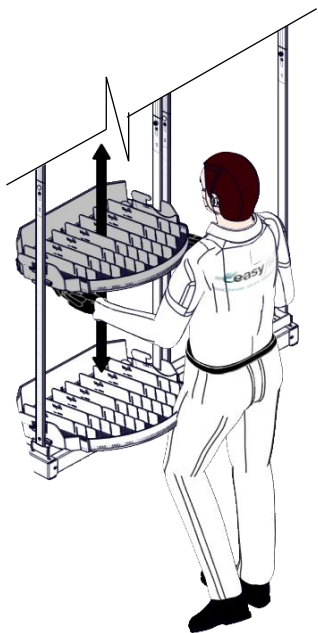
13



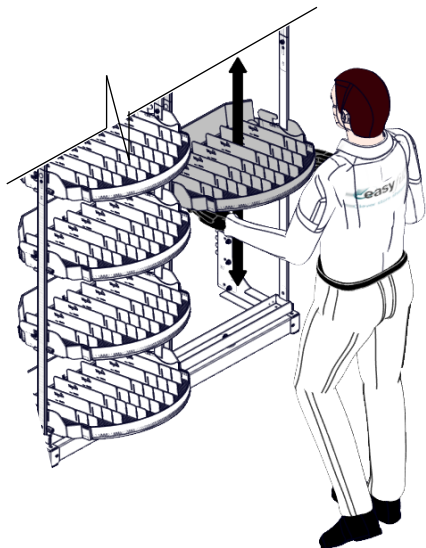
14



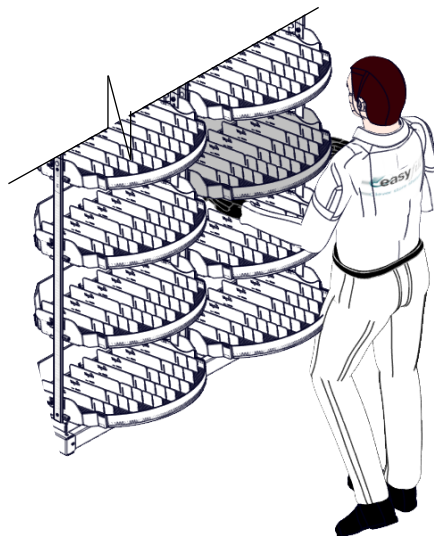
15



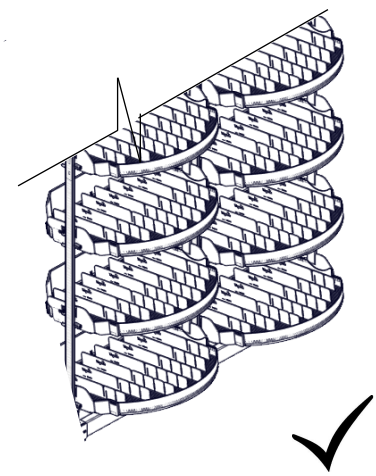
16



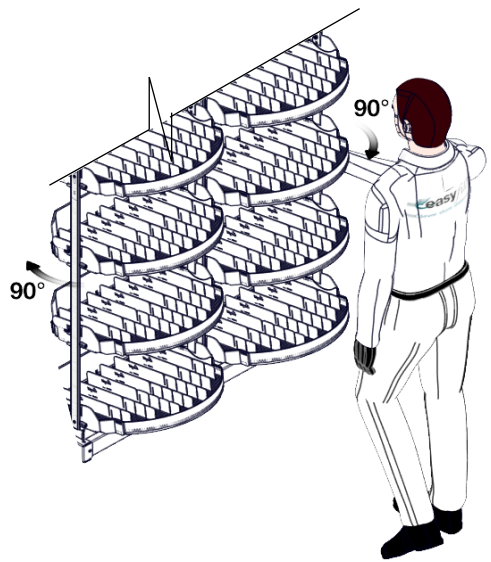
17



18



19



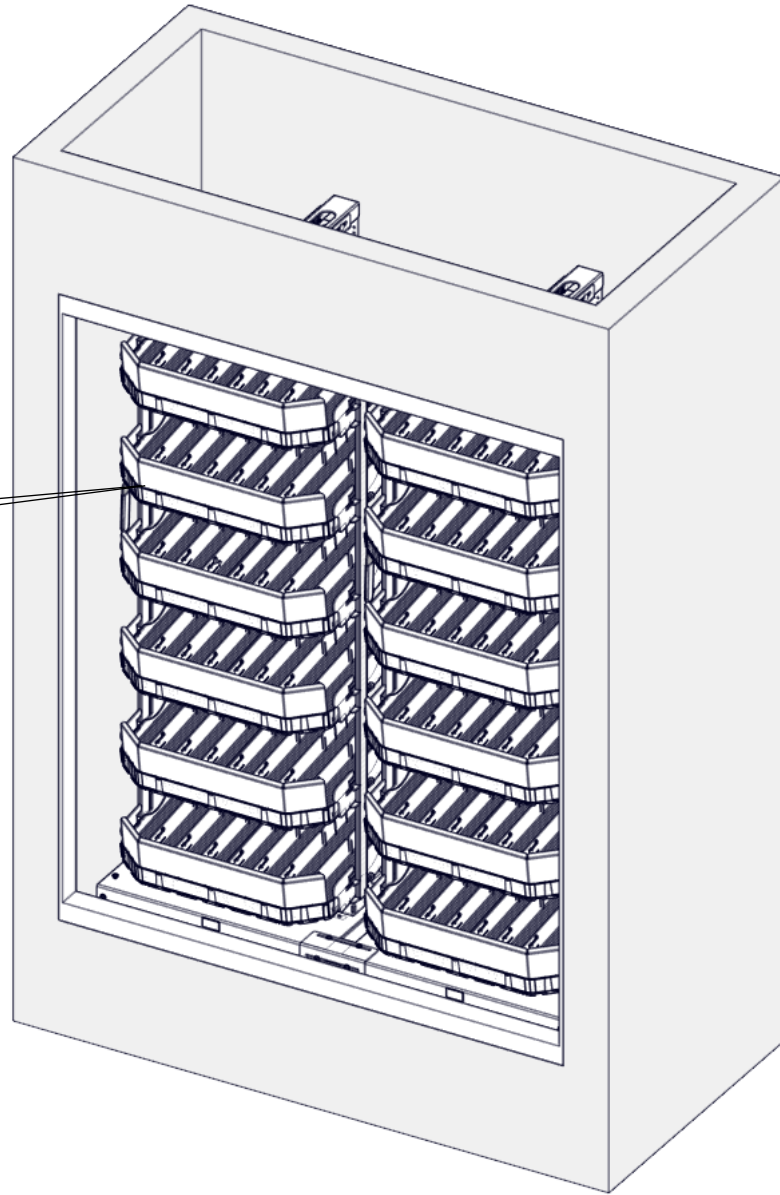
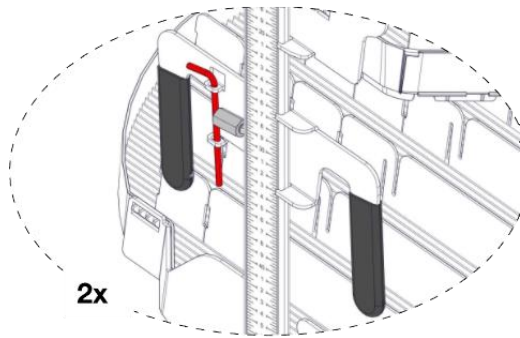
20



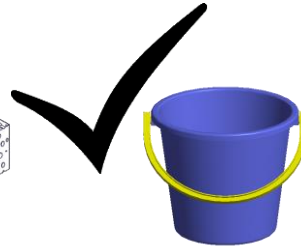
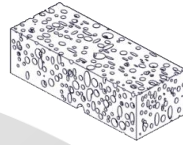
ALLEN KEY 4

2x

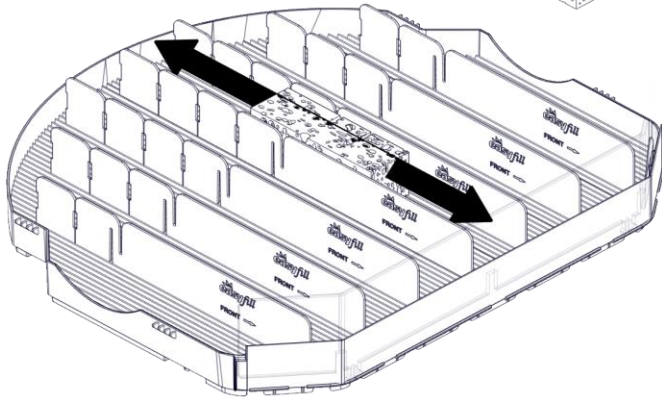
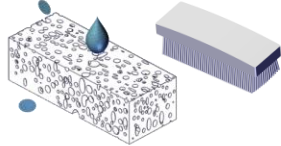
21



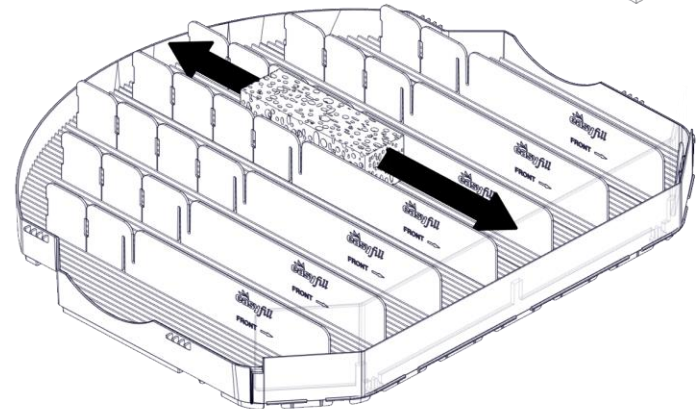
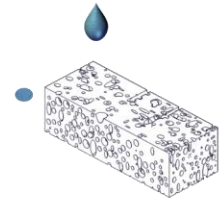
CLEANING



1



2



Thanks!
www.easyfill.se

ALL PICTURES SHOWN ARE FOR ILLUSTRATION PURPOSE ONLY.
ACTUAL PRODUCT MAY VARY DUE TO PRODUCT ENHANCEMENT.
ALL CHANGES ARE RESERVED BY EASYFILL.